

How to Add a Bow Cuff

By Lindsey Rae Marsh
of Sew To Grow

www.sewtogrow.com.au

I am so excited to show you how to add this extremely cute and on trend bow detail to any sleeve. Add it to your short or long sleeved tops or dresses to make this a wardrobe staple in any season.

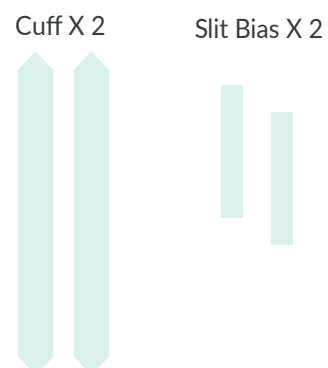
You will want to have your chosen sleeve already cut out and ready to attach the bow cuff detail.

Segment 2 Supplies:

- You will only need a few basic supplies for today's project.
 - You will need your pattern pieces for the bias and Bow cuff. (Cuff and Bias template provided).
 - Scissors, pins, erasable fabric marking pen, point turner and a seam gauge or ruler.
 - I also like to have an edge stitching foot for my machine for helping me create perfect topstitching.
 - For the fabric, I suggest using a lightweight woven fabric such as rayon to give your bow a soft draped feel, or use medium weight woven fabrics to add more structure to your bow.

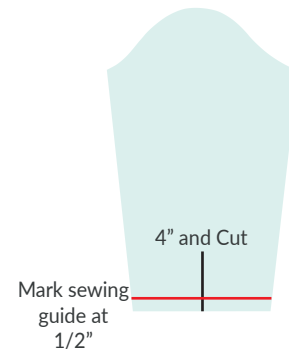
Segment 3 Cutting:

- The first thing you will want to do is to cut out your bow cuff and bias strips using your template.
- You are going to cut out 4 bow cuffs and 2 bias strip to make the cuffs for both sleeves.



Segment 4 Marking Sleeve:

- Take one of your sleeves and find the middle by folding in half and slightly creasing.
- Next, use your seam gauge to mark a line 4" long. I'm also going to put a small dot 3/8" from the top of my line. This is going to be my stop sewing mark. I am also going to mark a 1/2" line along the bottom edge on the right side. We will use this later when attaching the cuff.
- Cut on the 4" line that you marked

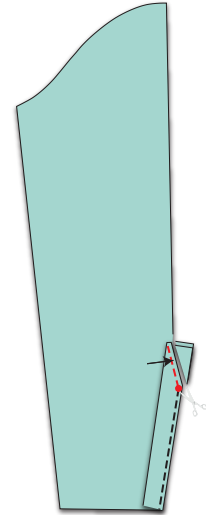


Attaching Bias to Slit in sleeve:

- Once you've done that you are going to take one of your bias strips and iron in half wrong sides together.
- Now, take your bias and pin the raw edges matching to one side of your slit. Go ahead and transfer your stop sewing mark to your bias.
- Go to your machine and we are going to sew a 3/8" seam allowance. You should see a line on your machine to indicate 3/8" or also 10mm
- Sew a small reverse stitch at the beginning and keep sewing until you reach the stop sewing mark. Cut your threads.
- Now you are going to fold your bias down at a right angle and then back upon its self. Pin in place. I like to take my marking pen and mark my Start sewing mark, which will be exactly where your stop sewing mark was.
- Place back under your machine and slowly lower your needle into place. Once you are happy with the position you can lower your presser foot. I like to do a fix stitch or a couple of stitches in place rather than a back stitch for this part. Sew the rest of the way down, back stitching at the end.
- TIP: In the It's Sew Easy TV segment I did this all as one step to save time. It would be much easier to break this down into two steps, as in the directions above, so that you get a perfect pivot for your bias.

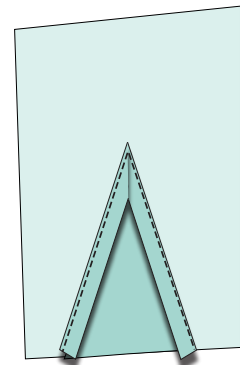
Marking and Sewing Mitered edge:

- Once sewn, fold your sleeve out to the way so that your bias is laying out to the side.
 - Next use a ruler and marking utensil to draw a mitered edge.
 - Sew on the line
 - Trim the excess.
- Press the bias and pin to the wrong side of your sleeve.



Topstitching Bias to Sleeve:

- If you have an edge stitching foot, go ahead and attach that to your machine and position your needle so that you are about 1/8" away from the inside folded edge. If you are using a normal foot then try to line up your foot so that you have a line to follow and are sewing the same 1/8" away from the inside folded edge.
- Sew and pivot in the corner, then sew the rest of the way down.



Sew Bow Cuffs Together:

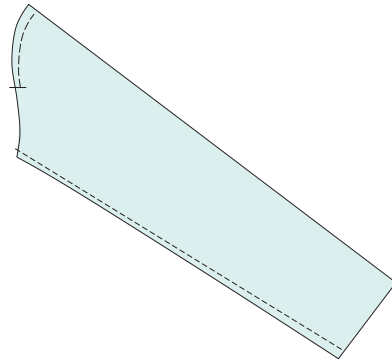
- Take and pin a bow cuff right sides together.
- Before sewing your sleeve together, place your sleeve along one edge of your cuff. Mark the start and start of the sleeve. Give your self about 1/2" past either side of the sleeve.
- Next, you are going to sew your bow cuff starting and stopping at your marks. This will leave a gap in between.
- Clip Corners once sewn.
- Turn right side out using preferred tool.
- Poke out corners



- Press.

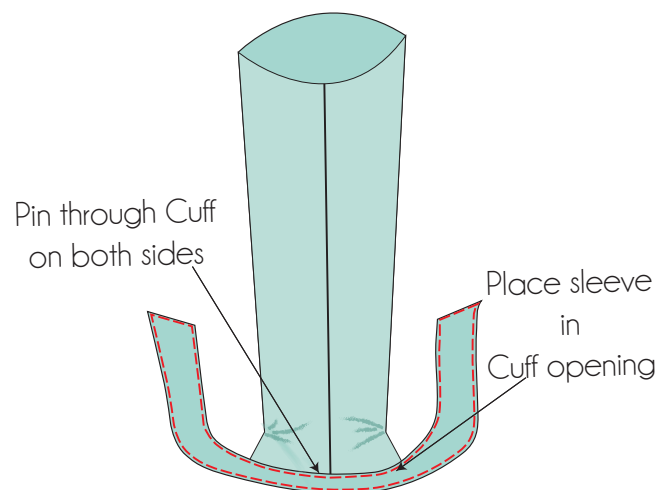
Sew Sleeve Together:

- Next, Pin and sew your sleeve right sides together.



Segment 10 Attach Bow Cuff to Sleeve:

- Take your sleeve and flatten out as much as possible.
- Find middle of sleeve and middle of cuff by folding in half.
- Slide the edge of the sleeve into the opening of the bow cuff matching it up to the 1/2" line you marked earlier and pinning in place
- Pin into place from the right side.
- Once pinned, go back to your machine and make sure you still have your edge stitching foot and needle set for top stitching.
- I like to start at the edge of the cuff and sew from the under side.
- Sew around the entire cuff pivoting at the edges and coming all the way back to where you started.
- Trim off any threads you may have.



-
- Once everything is sewn, you can now Tie your pretty Bow.
 - Repeat for your other sleeve.
 - Now you can attach this gorgeous sleeve to your pattern.